

Information to Lumics Line Optics

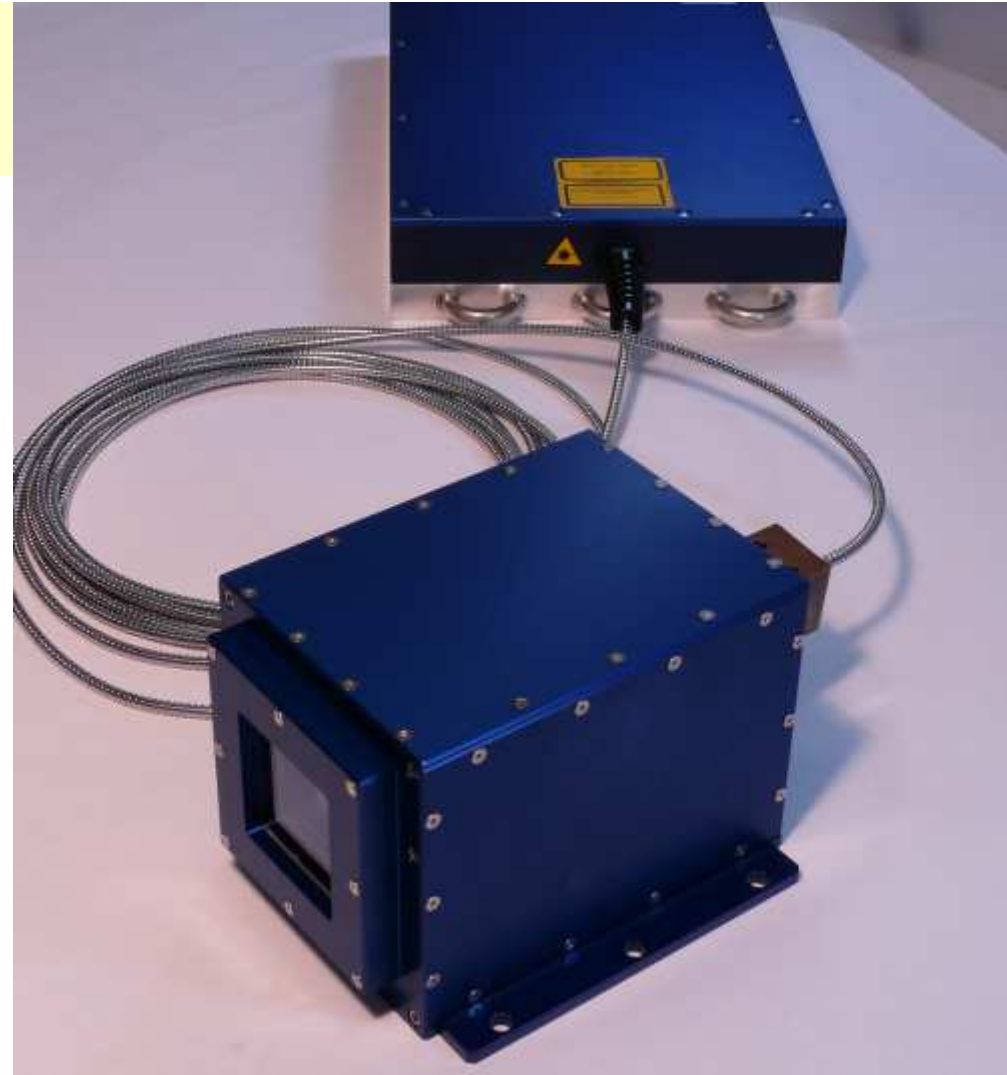
The Lumics logo is displayed in white, bold, sans-serif capital letters on a dark blue rectangular background. Below the blue background is a thin, horizontal yellow line.

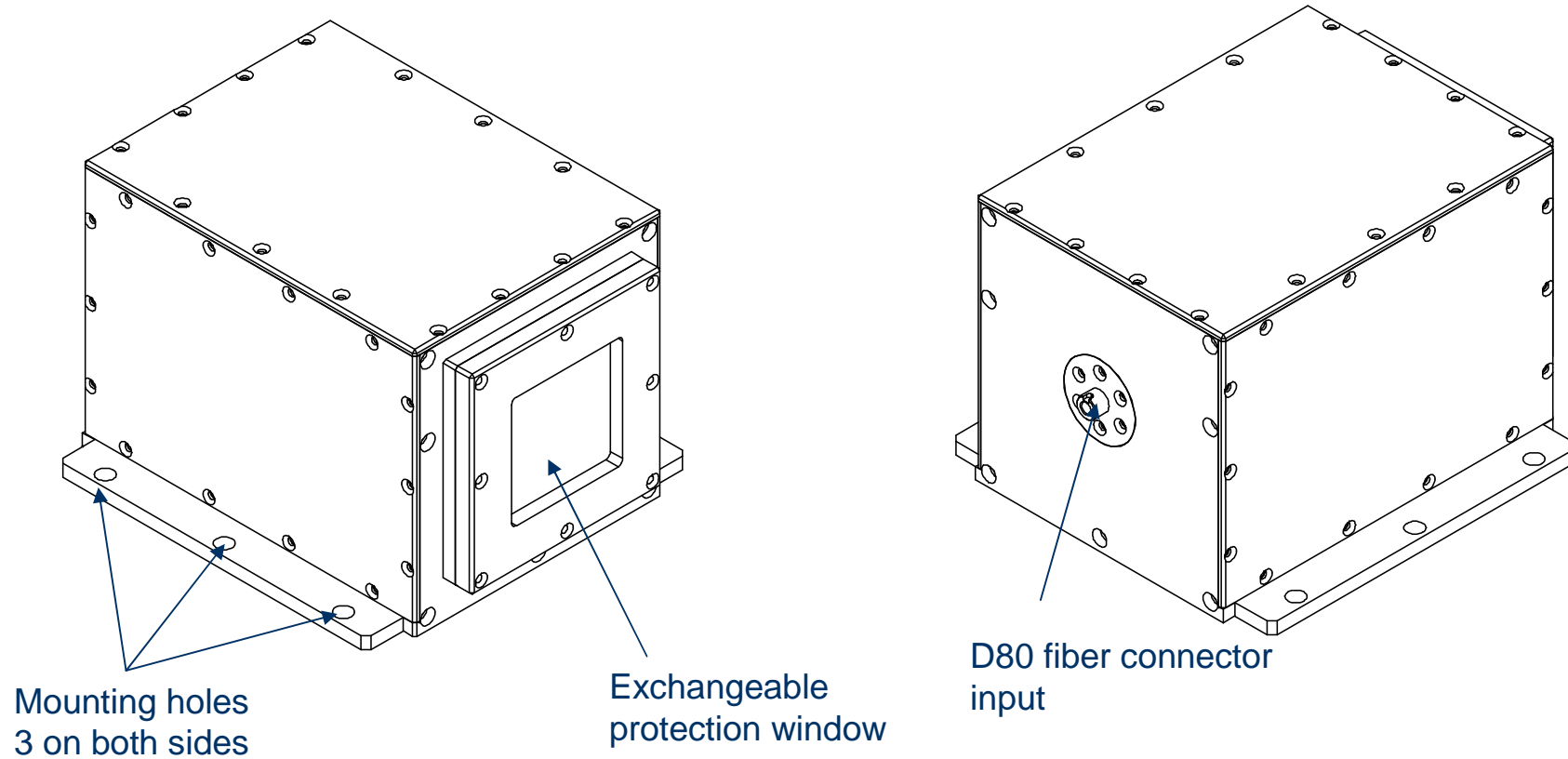
LUMICS

Lumics GmbH
Carl Scheele Str. 16
12489 Berlin (Germany)

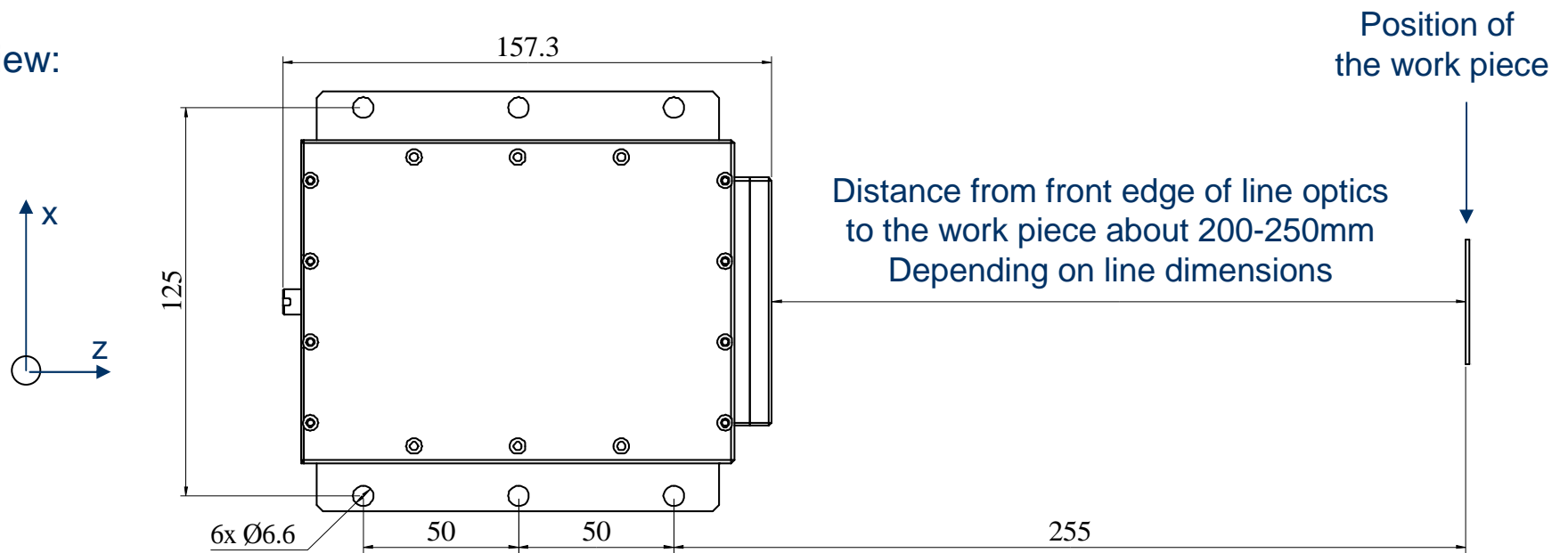
2009-08-03
Karl Eberl

Lumics Diode Laser System
combined with
Line-Optics

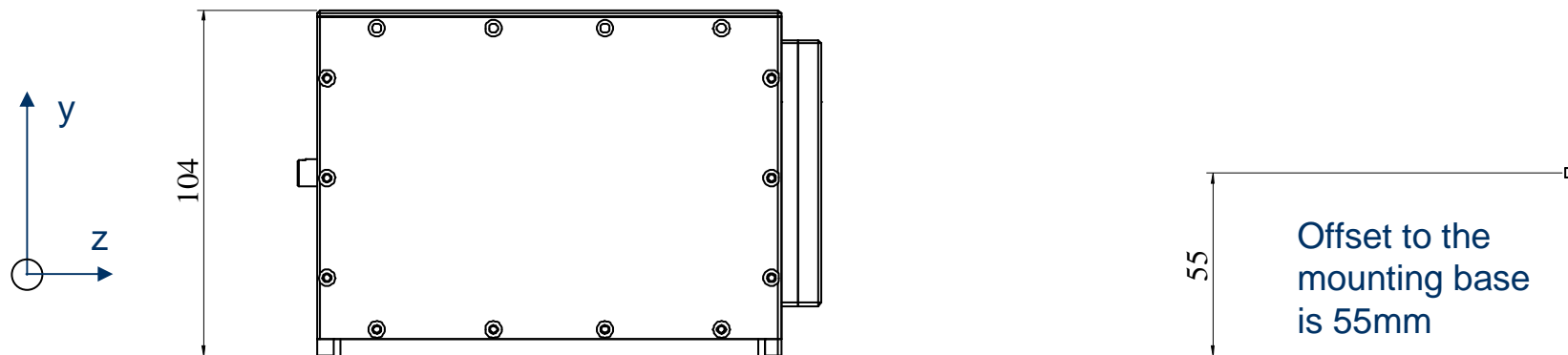




Top view:



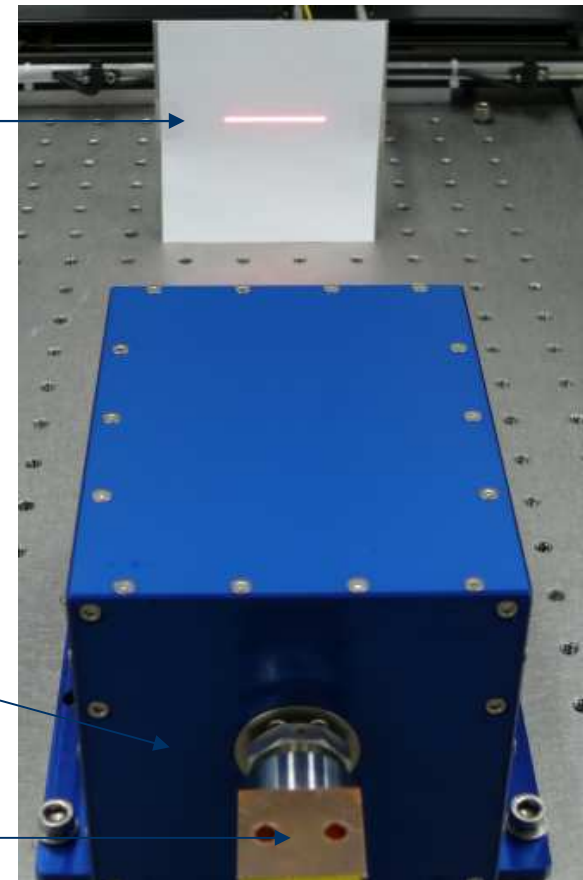
Side view:



Test of red pilot line

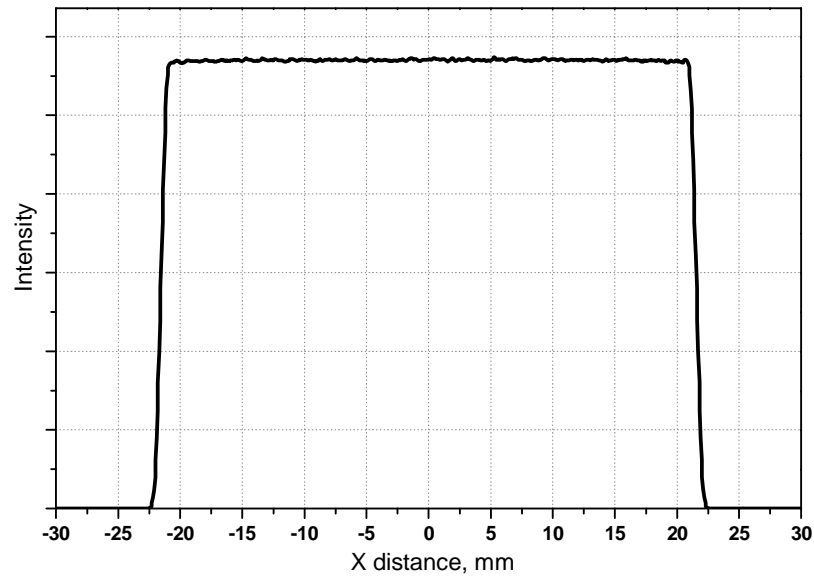
The max. allowed temperature of the back side is 40°C.
Depending on operating environmental conditions
active cooling may be needed

D80-Fiber Connector

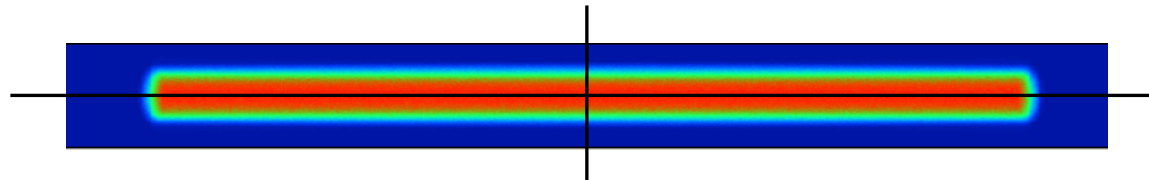
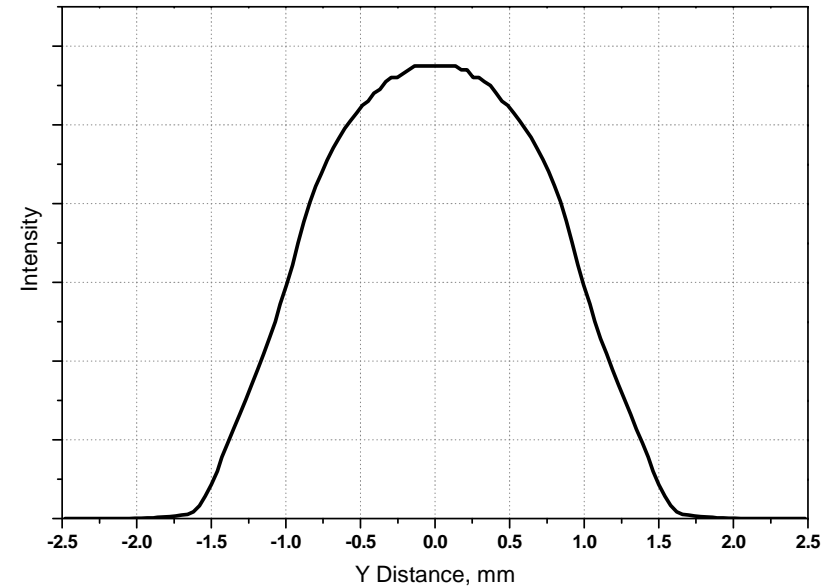


Lumics Line intensity simulation result / specifications

Longitudinal line section



Transversal line section



Example Line: 40 x 3 mm

Longitudinal section:

Transversal section:

Total optical transmission efficiency

Red pilot line:

Power homogeneity > +/-3%

3mm includes 96% of power

> 85%

10mW, 2mm broad in center of power line