



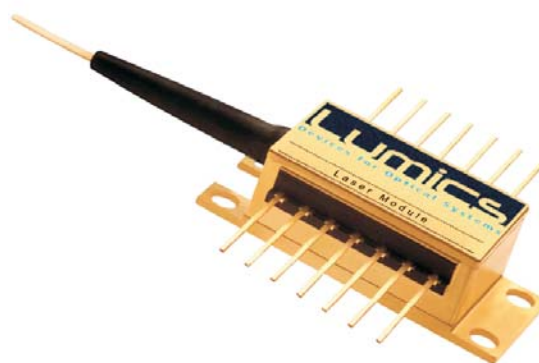
LU0980M330

Pump Laser Module FBG stabilized

Up to 330mW power

Features:

- Wavelength 972-985nm
- High kink-free power up to 400mW
- Proven reliability for high power operation
- Cooled 14-pin package
- Very powerful chip design
- Single mode fiber pigtail
- Fiber Bragg Grating stabilized
- Telcordia GR 468 CORE compliant



Description / Applications:

The Lumics LU0980M330 laser diode module contains an optimized GaAs/AlGaAs/InGaAs quantum well high power laser. It has been specifically designed for applications in low noise high power Erbium Doped Fiber Amplifiers (EDFA). The extremely stringent reliability requirements are achieved through the Lumics patent innovative technology. This includes careful design, exactly defined manufacturing and extensive testing. The qualification contains a set of optoelectronic, thermal and mechanical tests. Each laser diode module is individually serialized for traceability and is shipped with a specified set of test data.



Operating Parameters

Product code	Maximum Operating Power P_{op} [mW]	Maximum Operating Current I_{op} [mA] (2)	Minimum Kink Free Power P_k [mW] (1)	Kink Free Current I_k [mA] (1)
LU0980M210	210	395	231	435
LU0980M220	220	410	242	455
LU0980M230	230	425	253	470
LU0980M240	240	440	264	485
LU0980M250	250	455	275	505
LU0980M260	260	470	286	520
LU0980M270	270	485	297	535
LU0980M280	280	500	308	553
LU0980M290	290	515	319	570
LU0980M300	300	530	330	585
LU0980M310	310	545	341	601
LU0980M320	320	560	352	615
LU0980M330	330	575	363	635

Electrical and Optical Characteristics (at 977nm, 25°C (T_{chip} and T_{case}) and Begin of Life (BOL)):

Parameter	Conditions	Symbol	Min	Typ	Max	Unit
Threshold Current		I_{th}		50	70	mA
Forward Voltage	at I_{op}	V_{op}			2.2	V
Peak Wavelength	as specified +/- 2nm	λ_{peak}	972	980	985	nm
Spectral Width (3) (95% power)	at P_{op} , with FBG	λ_{p95}			2	nm
Optical Power Stability	at I_{op} , t = 60sec	P_{op} / t			0.5	%
Spectral Shift with Temp.	FBG Temp.	λ / T			0.02	nm/°C
Side Mode Suppression	at P_{op} , with FBG		-20			dB
Monitor Responsivity		R	0.1	1.9	10	$\mu A/mW$
Monitor Dark Current				5	40	nA
TEC Current	$P_{op} < 270mW$ chip 25°C, case 70°C	I_{TEC}		0.9	1.3	A
	$P_{op} > 270mW$ chip 25°C, case 70°C	I_{TEC}		1.2	1.8	A
TEC Voltage	$P_{op} < 270mW$ chip 25°C, case 70°C	V_{TEC}		2.1	2.4	V
	$P_{op} > 270mW$ chip 25°C, case 70°C	V_{TEC}		2.1	2.8	V
Thermistor Resistance	T=25°C	R_{th}	9.5	10	10.5	kOhm
Thermistor Constant		B	3850	3950	4050	K
Steinhart-Hart Equation coefficients	$C_1 = 1.1292E-03 / C_2 = 2.3411E-04 / C_3 = 8.7755E-08$					
Fiber Type	Corning HI 1060, single mode					

Important Notes:

- (1) kink-free is defined as $|dL/dl| - \langle dL/dl \rangle < 0.2$, where $\langle dL/dl \rangle$ is the average slope efficiency below kink. The module is kink free (at least) up to a minimum kink-free power P_k that the module will achieve at a device-specific current, the kink-free current I_k . The individual value of I_k is noted on the hardcopy of the test report shipped with the device. All values of I_k are limited by values listed in Table 'Absolute Maximum Ratings' (see below).
- (2) Operating current (power) is the maximum current (power) where the slope efficiency does not decrease by more than 20% from average between 20mW and 110% of maximum operating power P_{op} . The maximum operating power P_{op} will be achieved at a device-specific current, the maximum operating current I_{op} . The individual value of I_{op} is noted on the hardcopy of the test report shipped with the device. All values of I_{op} are limited by the values listed in table 'Absolute Maximum Ratings'. The pump laser shall never be operated at a power higher than the maximum operating power P_{op} throughout its lifetime. At Begin of Life (BOL), the operating current shall never be higher than the device-specific maximum operating current I_{op} that is noted in the test report shipped with the device. At End of Life (EOL), the operating current shall never be higher than the device-specific kink free current I_k that is noted in the test report.
- (3) λ_{p95} is defined as 95% of total spectral power
- (4) Please avoid rapid TEC on/off switching



Absolute Maximum Ratings:

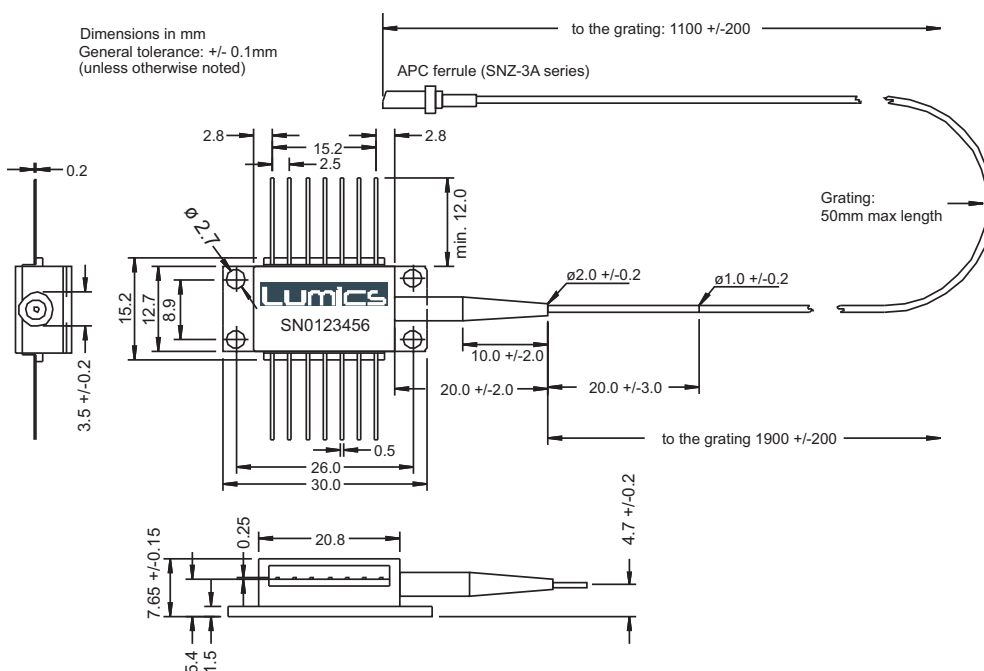
Parameter	Symbol	Min	Max	Unit
Storage Temp.	T_{max}	-40	85	°C
Operating Case Temp.	$T_{op, case}$	-20	70	°C
Operating Chip Temp.	$T_{op, chip}$	20	30	°C
Lead Soldering Temp. (max. 10sec)			260	°C
LD Forward Current	$I_{F, max}$		700	mA
LD Reverse Voltage	$V_{R, max}$		0.3	V
Monitor Forward Current	$I_{F, PD}$		5	mA
Monitor Reverse Voltage	$V_{R, PD}$		20	V
TEC Current $P_{op} < 270mW$	I_{TEC}		1.8	A
$P_{op} > 270mW$	I_{TEC}		2.6	A
TEC Voltage $P_{op} < 270mW$	V_{TEC}		3.2	V
$P_{op} > 270mW$	V_{TEC}		3.5	V
ESD Damage (1)			500	V
Fiber Pigtail Bend Radius		25		mm
Maximum transient (<3µs) forward current			1.2	A

(1) A standard human body model (1.5kOhm, 1000pF) is used for ESD thresholds

Note:

Absolute Maximum Ratings may be applied to the laser module for short periods of time only. Exposure to maximum ratings for extended periods of time or exposure above one or more max ratings may cause damage or affect the reliability of the device.

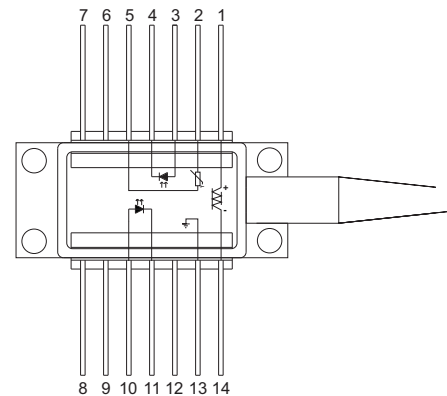
Module Drawing (dimensions in mm):



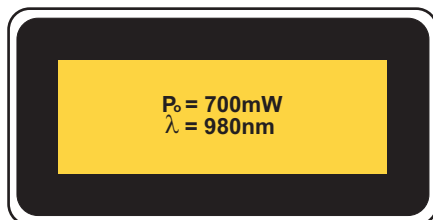
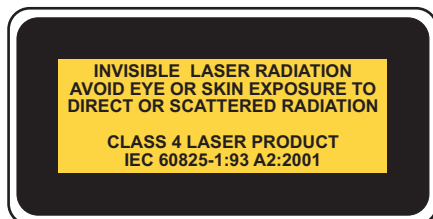


Pin Connections:

Pin	Function	Pin	Function
1	Cooler (+)	8	nc
2	Thermistor	9	nc
3	PD anode	10	LD anode
4	PD cathode	11	LD cathode
5	Thermistor	12	nc
6	nc	13	Case ground
7	nc	14	Cooler (-)



User Safety:



Complies with 21 CFR1040.10

For further information and ordering details please contact Lumics at:

Lumics GmbH
 Carl-Scheele-Str. 16
 12489 Berlin
 Germany

Tel: +49. (0)30. 6 78 06 76 - 0
 Fax: +49. (0)30. 6 78 06 76 - 26
 Email: sales4@lumics.com
 www.lumics.com

Rev 081024 / v1
 Copyright Lumics GmbH
 All rights reserved