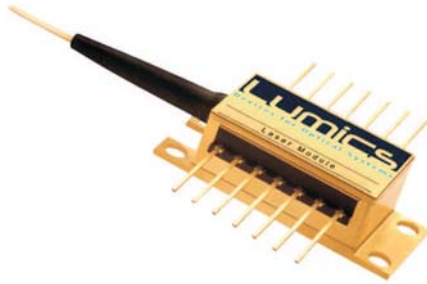




LU1080M200 1080nm Laser Module, Seed Laser c.w. or pulsed mode



Description:

The Lumics LU1080M200 laser diode module contains an optimized GaAs substrate based quantum well high power laser diode. It has been designed for customer specific applications and is available with special FBG's and fibers. The extremely stringent reliability requirements are achieved through our patent pending innovative technology. This includes careful design, exactly defined manufacturing and extensive testing. The qualification contains a set of optoelectronic, thermal and mechanical tests. Each laser diode module is individually serialized for traceability and is shipped with a specified set of test data.

Features & Functions:

- Wavelength 1080nm
- Up to 200mW c.w. operating power
- Up to 1W peak power
- short pulses 5nsec - 500nsec
- single mode pigtail
- cooled 14pin package
- FBG-options
- PM-fiber option

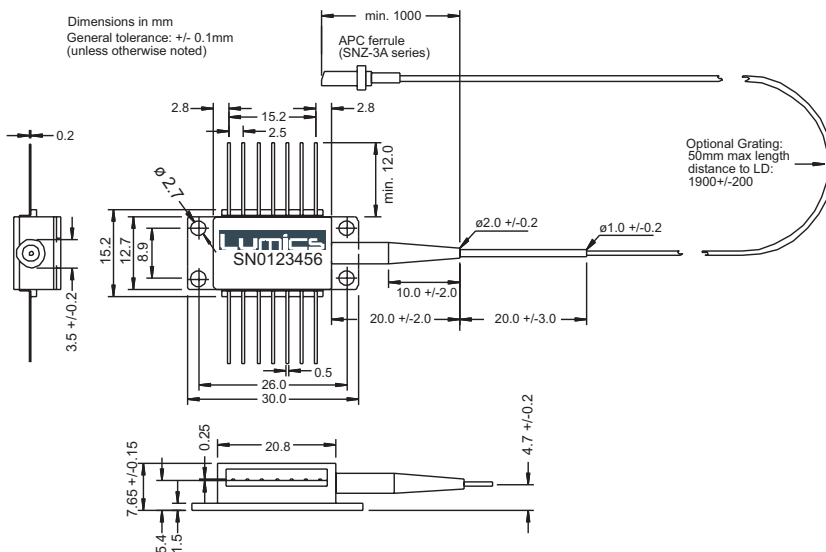
Benefits:

- all Laser welded
- high reliability
- field proven reliability

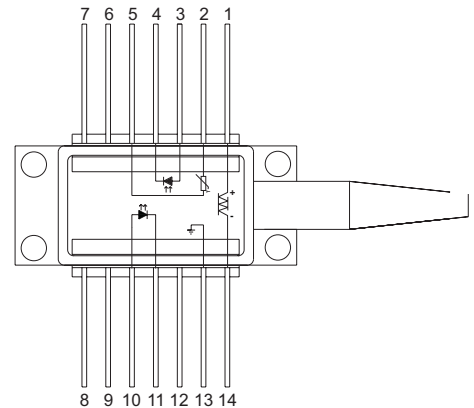
Applications:

- seeder for fiber laser
- sensor applications

Module Drawing (dimensions in mm)



Pin Connections



Pin	Function	Pin	Function
1	Cooler (+)	8	nc
2	Thermistor	9	nc
3	PD Anode (+)	10	LD Anode (+)
4	PD Cathode (-)	11	LD Cathode (-)
5	Thermistor	12	nc
6	nc	13	Case ground
7	nc	14	Cooler (-)

Your ideas are welcome.

Electrical and Optical Characteristics (at 25°C (T_{chip} and T_{case}) and Begin of Life (BOL)):

Parameter	Conditions	Symbol	Min	Typ	Max	Unit
Operating Power	c.w.	P _{op}		200		mW
Operating Current	c.w.	I _{op}		420	500	mA
Pulsed Operating Peak Power	< 500ns / duty cycle <5%	P _{op}		1000		mW
Pulsed Operating Peak Current	< 500ns / duty cycle <5%	I _{op}			2	A
Rise and fall time				2		nsec
Threshold Current		I _{th}		58		mA
Forward Voltage	at I _{op}	V _{op}		1.62	1.95	V
Peak Wavelength λ _{peak}	at P _{op}	λ	1070	1080	1090	nm
Spectral Width (FWHM)	at P _{op} , with FBG	Δλ			1	nm
Optical Power Stability	at I _{op} , t = 60 sec	P _{op} / t			0.5	%
Polarization extinction ratio	PM fiber version		12			dB
Spectral Shift with Temp.	FBG Temp.	Δ / T			0.02	nm/ °C
Side Mode Suppression	at P _{op} , with FBG		-20			dB
Monitor Responsivity		R	0.1	0.5	10	μA / mW
Monitor Dark Current				5	40	nA
TEC Current	chip 25°C, case 70°C	I _{TEC}		0.8		A
TEC Voltage	chip 25°C, case 70°C	V _{TEC}		2.1		V
Thermistor Resistance	T=25°C	R _{th}	9.5	10	10.5	kOhm
Thermistor B constant		B	3850	3950	4050	K
Steinhart-Hart-Equation coefficients	C ₁ = 1.1292E-03 / C ₂ = 2.3411E-04 / C ₃ = 8.7755E-08					
Large Signal Modulation Bandwidth				200		MHz

Fiber Specifications

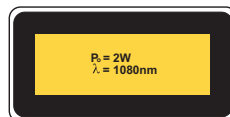
Fiber Type Corning HI1060, single mode (PM Fiber PM980 on request)

Absolute Maximum Ratings

Parameter	Symbol	Min	Max	Unit
Storage temp.	T _{max}	-40	85	°C
Operating case temp.	T _{op, case}	-20	60	°C
Operating chip temp.	T _{op, chip}	20	40	°C
Soldering temp. (max. 10sec)		260		°C
LD Forward current (c.w.)	I _{op, max}		800	mA
LD Forward current (Pulse 500ns 5% D.C.)			2.0	A
LD Reverse voltage	V _{R, max}		2	V
Monitor forward current	I _{F, PD}		5	mA
Monitor reverse voltage	V _{R, PD}		20	V
TEC Current	I _{TEC}		1.8	A
TEC Voltage	V _{TEC}		3.2	V
ESD Damage (2)			500	V
Fiber pigtail bend radius	HI 1060		25	mm
Maximum transient (<3μs) forward current			1	A

(2) A standard human body model (1.5kOhm, 100pF) is used for ESD thresholds

User Safety



Your ideas are welcome.